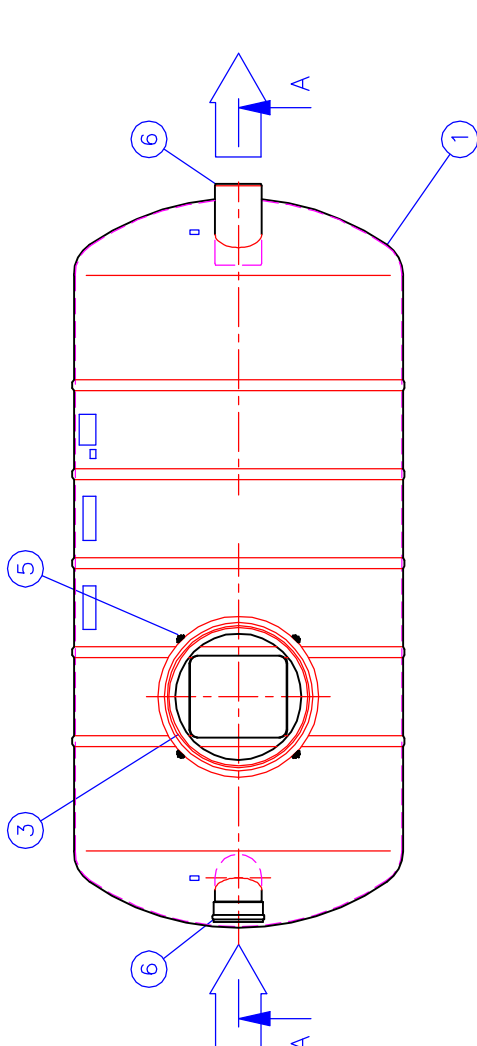


9	EuroHUK 600 maintenance shaft (as needed), material: PE-MD	
h	Separator connection height from ground (Max. 2500 mm)	
EuroHUK 600	h= 9-13 (x) <input type="checkbox"/> Weight 22 kg	h= 900...1300 mm
EuroHUK 600	h= 13-17 <input type="checkbox"/> Weight 38 kg	h= 1300...1700 mm
EuroHUK 600	h= 17-21 <input type="checkbox"/> Weight 56 kg	h= 1700...2100 mm
EuroHUK 600	h= 21-25 <input type="checkbox"/> Weight 80 kg	h= 2100...2500 mm
8	Ventilation outlet (as needed)	PE D110

7	SandSET-1000 Sludge alarm unit with SET/S probe	1			
6	Inlet and Outlet sewer (as needed), material PVC	1/1			
D110 (x) <input type="checkbox"/>	D160 <input type="checkbox"/>	D200 <input type="checkbox"/>	D250 <input type="checkbox"/>	D315 <input type="checkbox"/>	D400 <input type="checkbox"/>
5	Lock				
4	Storage volume of sand and sludge	15000 l			
3	Maintenance shaft installation sleeve	GRP $\phi 1000$			
2	Skid	GRP			
1	Material: Glass Reinforced plastic "Lasa Composit", $\phi 2200$, L=4900 mm	1			
	pH3-10/Heat resistance 50°C				



Wavin-Labko Ltd.

FIN-36240 KANGASALA
FINLAND +358-020-1285 200
Tel. +358-020-1285 200
Fax +358-020-1285 280

Waste collecting company

Server

Point B:

Gasket

Point A:

Det. A - A:

h = Separator connection height from ground

h = _____ mm (max. 2500 mm)

EuroHUK 600 h _____ maintenance shaft

Inlet/Outlet D _____

Notes: _____

Weight (without maintenance shaft): 774 kg

ACCESSORY: LABCOM Data Transfer Unit (x)

ACCESSORY: Floating adjustable cover $\phi 600$

Cover A15 (1.5 tn) (x)

Cover C250 (25 tn)

Cover D400 (40 tn)

Frame

Product: EuroHEK 15000 Sand and Sludge separator

Title: EuroHEK 15000 Sand and Sludge separator

Design by: TIS/JS

Checked by: HT

Approved by: 09.05.06

Drawing no. 16KBO1ce

Date: 09.05.06

Scale:

Construction site:

WAVIN-LABKO Ltd.

Labkote 1

WAVIN-LABKO Ltd.

09.05.2006 13:16:32

Approved by customer:

_____ / _____ 200_____

This drawing and the technical information included in the drawing are property of Wavin-Labko Ltd. This drawing can not be shown to a third party without the consent of Wavin-Labko Ltd.

LABKO QUALITY ASSURANCE

LABKO QUALITY ASSURANCE