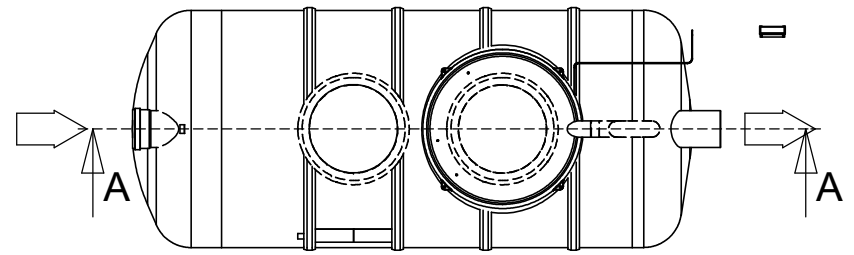
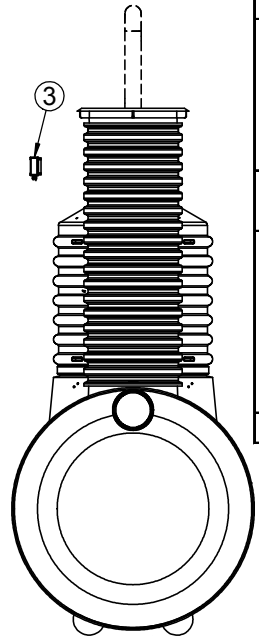
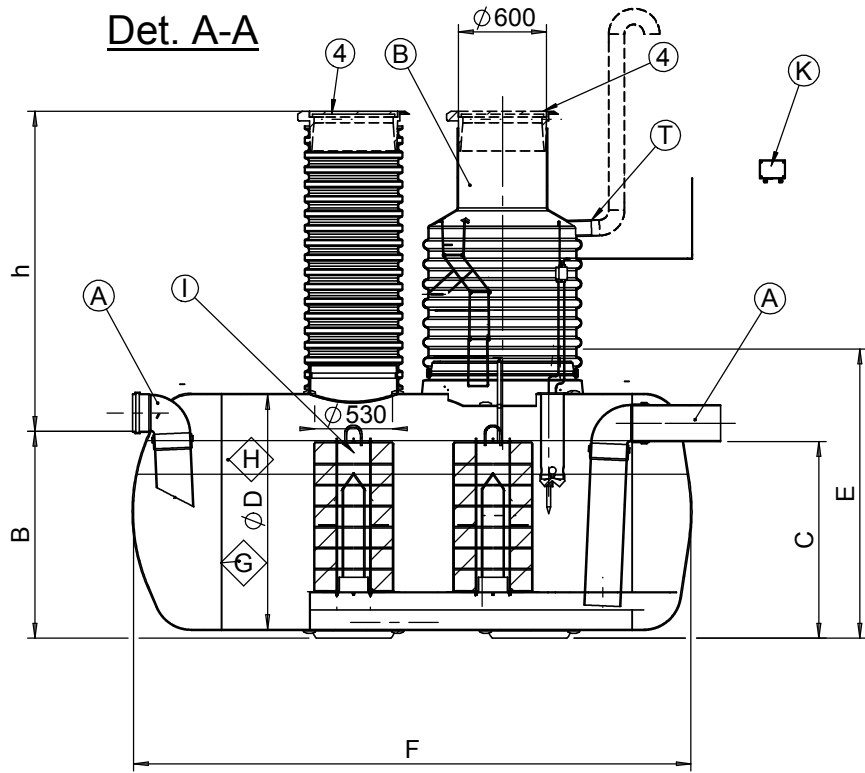


**Det. A-A**



Part nro	Chosen (x)	Product	Part no.	pcs
4	( )	Floating adjustable cast iron cover D600	3 325 010	
	( )	Cast iron cover according to loading (1.5tn, 25tn or 40tn)		
	( )	A15 (1.5 tn)	3 322 050	
	( )	C250 (25 tn)	3 322 054	
	( )	D400 (40 tn)	3 322 056	
3	( )	LABCOM Data Transfer Unit More info from <a href="http://www.wavin-labko.fi">www.wavin-labko.fi</a>		
2	( )	EuroHUK 600 maintenance shaft, material PE-MD h= Installation depth of separator from ground surface (mm)		
	( )	EuroHUK 600 h9-13, h= 900...1300 mm	3 632 632	
	( )	EuroHUK 600 h13-17, h=1300...1700 mm	3 632 634	
	( )	EuroHUK 600 h17-21, h=1700...2100 mm	3 632 636	
	( )	EuroHUK 600 h21-25, h=2100...2500 mm	3 632 638	
		T Ventilation outlet, PE, D110		

1	EuroPEK FILTER Oil Separator	NS	20	30	40	50
	Maximum flow rate	l/s	20	30	40	50
A	Inlet and outlet sewers	Dy	250	250	315	315
B	Bottom/inlet	mm	1410	1410	1410	1360
C	Bottom/outlet	mm	1340	1340	1340	1290
D	Diameter of the tank	mm	1600	1600	1600	1600
E	Height	mm	1850	1850	1850	1850
F	Length	mm	3800	3800	3800	5300
G	Effective capacity	l	6000	6000	6000	8700
H	Oil storage capacity	l	640	640	640	1000
I	Coalescator, closed on the top: 3-D filter, PPI 15-25	pcs	1	2	2	3
2	EuroHUK 600 -maintenance shaft (as needed)	pcs	1	1	1	1
J	PP-HUK 600 -maintenance shaft (as needed)	pcs	-	1	1	2
K	OILSET 2000 - oil alarm	pcs	1	1	1	1
L	Oil skimming pipe (D160)	pcs	1	1	1	1
4	Floating adjustable cast iron cover D600 (accessory)	pcs	1	2	2	3
	Weight	kg	500	550	560	750
	Chosen	(x)	( )	( )	( )	( )

Approved by customer:  
 \_\_\_\_\_ / \_\_\_\_\_. 200 \_\_\_\_

This drawing and the technical information included in the drawing are property of Wavin-Labko Ltd. This drawing can not be shown to a third party without the consent of Wavin-Labko Ltd.

Title <b>EuroPEK FILTER NS20 ... 50 Oil separator</b>			Drawing type: <b>Customer Drawing</b>	
Design by: <b>HT/JS</b>	Approved by: <b>JP 27.10.2005</b>	Drawing no. <b>24JB02ae</b>	Date: <b>27.10.2005</b>	Scale ( A4): <b>1:50</b>
		<b>WAVIN</b> <b>Labko</b> WAVIN-LABKO LTD Labkotie 1 FIN-36240 KANGASALA FINLAND tel. + 358 20 128 5200 fax. + 358 20 128 5280		
Construction site:				